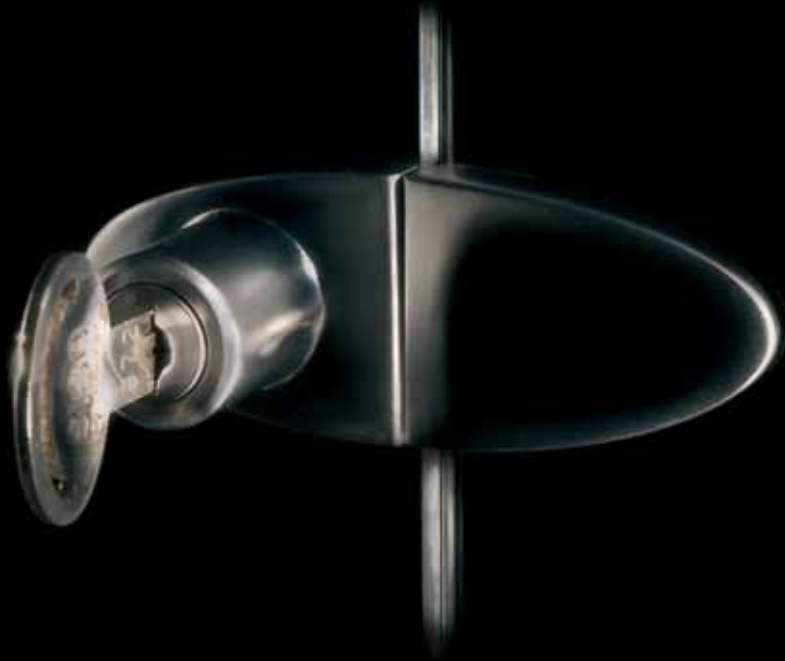


»Passion« Glass Design



- a thousand opportunities

- *high quality furniture fittings*



All specifications stated in the catalogue are errors and omissions excepted

SISO A/S tager forbehold for trykfejl samt ændringer i produktets specifikationer.

Für Druckfehler und Irrtümer ist jede Haftung ausgeschlossen. Produktänderungen behalten wir uns vor.



SISO A/S
MILEPARKEN 11
DK - 2740 SKOVLUNDE
(COPENHAGEN)
DENMARK
PHONE: (+45) 45 830 900
FAX: (+45) 45 830 444

DISTRIBUTOR

CONCEPT »SQUARE«



DESIGN REGISTERED

GLASS DOOR HINGES (WOOD TO GLASS)	4-5
GLASS DOOR HANDLES	6-7
GLASS DOOR LOCKS	8-11
GLASS DOOR HINGE, F/ALU FRAMES	12-13
GLASS DOOR HINGE (GLASS TO GLASS)	14-15
GLASS CONNECTORS	16-17
CONCEPT OVERVIEW	18-19

CONCEPT »BADGE«



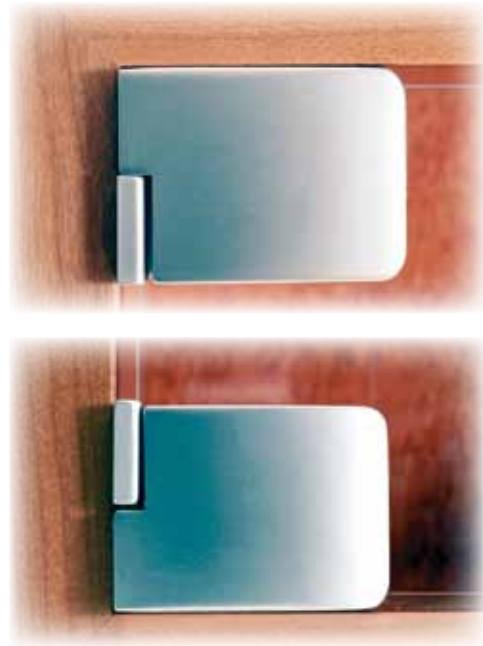
DESIGN REGISTERED

GLASS DOOR HINGES (WOOD TO GLASS)	20-21
GLASS DOOR HANDLES	22-23
GLASS DOOR LOCKS	24-27
GLASS DOOR HINGE, F/ALU FRAMES	28-29
CONCEPT OVERVIEW	30-31

GLASS DOOR HINGE »SQUARE«



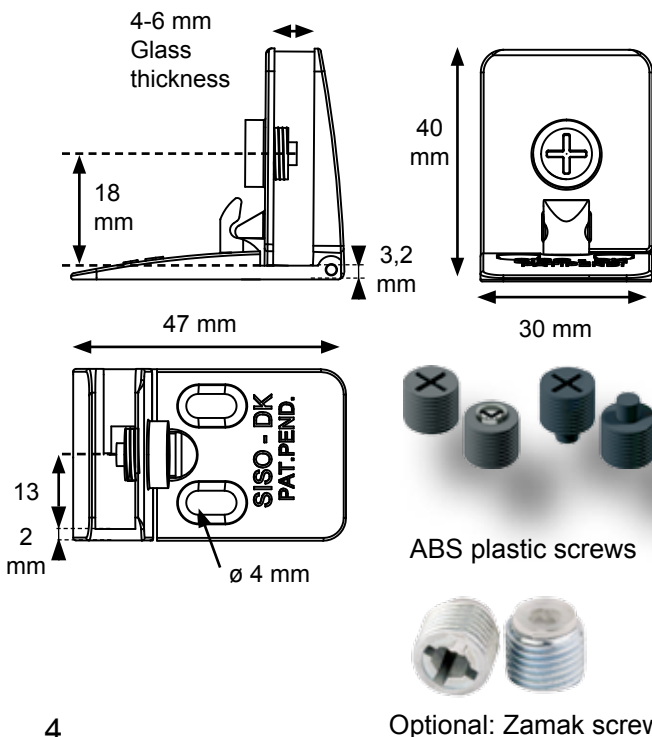
Top & Bottom Hinges
»SQUARE«



GLASS DOOR HINGE »SQUARE«
F/INSET DOORS - TOP & BOTTOM

Application:

- Glass door hinge with catch for inset doors. Top & bottom fixation
- No boring required but possible by using the extra extension screw supplied.
- F/Glass thickness 4-6 mm
- 90 or 180 Degrees opening depending on fixation
- Horizontal screw fixation
- Max door size: 1000 x 400 mm



Specification:

Material	Finish	Item No.
Zamak	Chrome Plated	#15.06.210
Zamak	Alu Finish	#15.06.211
Zamak	Black Anodized	#15.06.212
Zamak	Gold Plated	#15.06.213
Zamak	Bronze Plated	#15.06.214

Packing:

240 Pairs (1 Top + 1 Bottom) per export carton

Each hinge is supplied with:

1 ABS plastic screw w/soft PVC-tip for tight fastening without boring and 1 ABS plastic screw w/hard Ø6 x 3,5 mm ABS extension when boring required.

Optional: Zamak screw w/soft tip, 4mm Hex & PZD

Material	Finish	Item No.
Zamak	Zinc plated	#15.06.243

GLASS DOOR HINGE »SQUARE«

- high quality furniture fittings



GLASS DOOR HINGE »SQUARE«
F/INSET DOORS - CENTRE



Centre Hinge
»SQUARE«

Application:

- Glass door hinge with catch for inset doors. Centre – or top fixation for rounded doors
- For right & left hand doors
- No boring required but possible by using the extra extension screw supplied.
- F/Glass thickness 4-6 mm
- 90 or 180 Degrees opening depending on fixation
- Horizontal screw fixation
- Max door size: 1000 x 400 mm



Specification:

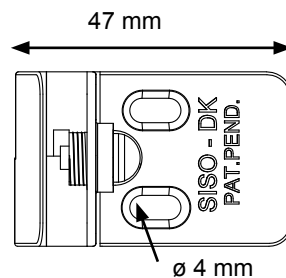
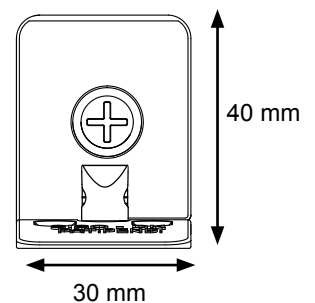
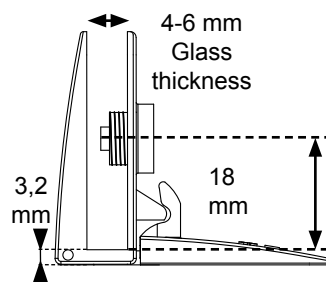
Material	Finish	Item No. R/L
Zamak	Chrome Plated	#15.06.230/255
Zamak	Alu Finish	#15.06.231/256
Zamak	Black Anodized	#15.06.232/257
Zamak	Gold Plated	#15.06.233/258
Zamak	Bronze Plated	#15.06.234/259

Packing: 240 Pcs per export carton

Each hinge is supplied with:
1 ABS plastic screw w/soft PVC-tip for tight fastening without boring and 1 ABS plastic screw w/hard Ø6 x 3,5 mm ABS extension when boring required.

Optional: Zamak screw w/soft tip, 4mm Hex & PZD

Material	Finish	Item No.
Zamak	Zinc plated	#15.06.243



ABS plastic screws



Optional: Zamak screw 5

GLASS DOOR HANDLE SINGLE »SQUARE«



Glass Door Handle Single »SQUARE«

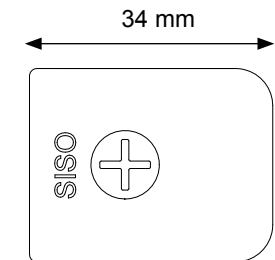
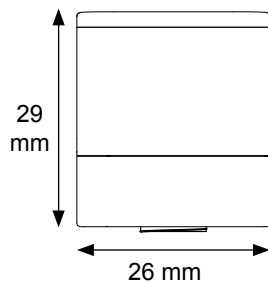
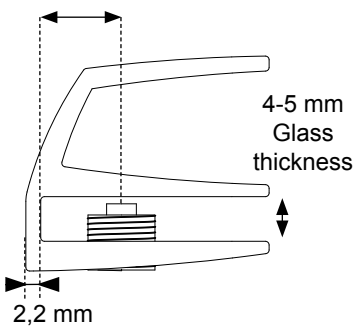


**GLASS DOOR HANDLE »SQUARE«
F/SINGLE DOORS**

Application:

- Glass door handle for single doors
- No boring required but possible by using the extra extension screw supplied.
- F/Glass thickness 4-5 mm

10,5 mm



ABS plastic screws



Optional: Zamak screw

Specification:

Material	Finish	Item No.
Zamak	Chrome Plated	#17.40.060
Zamak	Alu Finish	#17.40.061
Zamak	Black Anodized	#17.40.062
Zamak	Gold Plated	#17.40.063
Zamak	Bronze Plated	#17.40.064

Packing: 240 Pcs per export carton

Each handle is supplied with:
1 ABS plastic screw w/soft PVC-tip for tight fastening without boring and 1 ABS plastic screw w/hard Ø6 x 3,5 mm ABS extension when boring required.

Optional: Zamak screw w/soft tip, 4mm Hex & PZD

Material	Finish	Item No.
Zamak	Zinc plated	#15.06.243



Glass Door Handle
»SQUARE« f/Double Doors

**GLASS DOOR HANDLE »SQUARE«
F/DOUBLE DOORS**

Application:

- Glass door hinge for double doors
- Side-wall cut for minimising the gab between the glass doors.
- No boring required but possible by using the extra extension screw supplied.
- F/Glass thickness 4-5 mm



Specification:

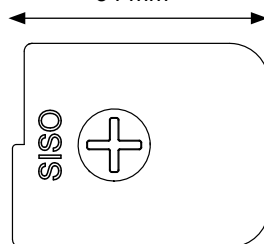
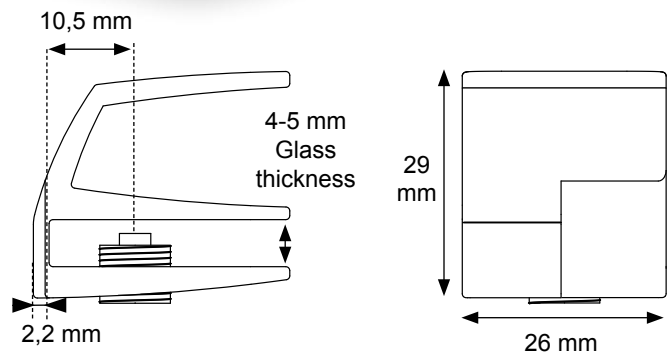
Material	Finish	Item No.
Zamak	Chrome Plated	#17.40.080
Zamak	Alu Finish	#17.40.081
Zamak	Black Anodized	#17.40.082
Zamak	Gold Plated	#17.40.083
Zamak	Bronze Plated	#17.40.084

Packing:
240 Pairs (1 Left + 1 Right) per export carton

Each handle is supplied with:
1 ABS plastic screw w/soft PVC-tip for tight fastening without boring and 1 ABS plastic screw w/hard Ø6 x 3,5 mm ABS extension when boring required.

Optional: Zamak screw w/soft tip, 4mm Hex & PZD

Material	Finish	Item No.
Zamak	Zinc plated	#15.06.243



ABS plastic screws



Optional: Zamak screw 7

GLASS DOOR LOCK »SQUARE« F/SINGLE DOORS



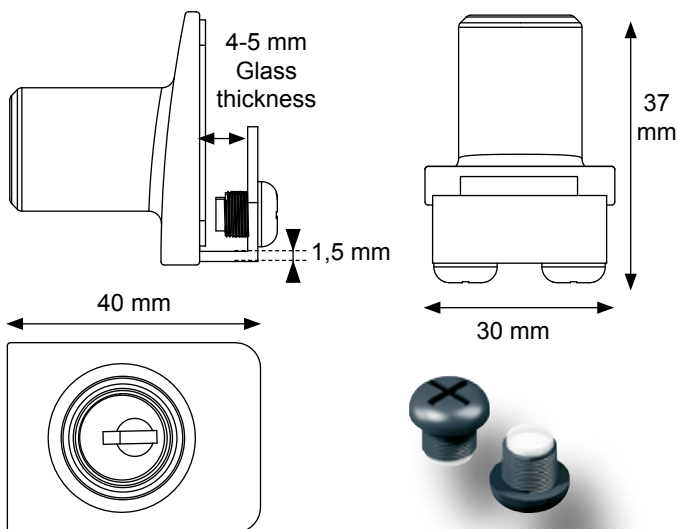
**Glass Door Lock »SQUARE«
f/Single doors**



**GLASS DOOR LOCK »SQUARE«
F/SINGLE DOORS**

Application:

- Glass door lock for single doors
- No boring required
- F/Glass thickness 4-5 mm
- 400 Key combinations or key alike
- Optional with master key & interchangeable system



8

ABS plastic screws

Specification:

Material	Finish	Item No.
Zamak	Chrome Plated	#14.09.520
Zamak	Alu Finish	#14.09.521
Zamak	Black Anodized	#14.09.522
Zamak	Gold Plated	#14.09.523
Zamak	Bronze Plated	#14.09.524

Packing: 240 Pcs per export carton

Each lock is supplied with:
 2 SISO metal keys
 2 ABS plastic screw w/soft PVC-tip for tight fastening without boring
 1 Flat metal striking plate (not illustrated)

DOUBLE DOOR STRIKER F/SINGLE DOOR LOCK »SQUARE«

- high quality furniture fittings



Application:

- Double door striker f/single glass door lock
- No boring required
- F/Glass thickness 4-5 mm



Specification:

Material	Finish	Item No.
Zamak	Chrome Plated	#14.09.530
Zamak	Alu Finish	#14.09.531
Zamak	Black Anodized	#14.09.532
Zamak	Gold Plated	#14.09.533
Zamak	Bronze Plated	#14.09.534

Packing: 240 Pcs per export carton

Each striker is supplied with:
2 ABS plastic screw w/soft PVC-tip for tight fastening without boring.



ABS plastic screws

EDGE STRIKER F/SINGLE DOOR LOCK »SQUARE«

Application:

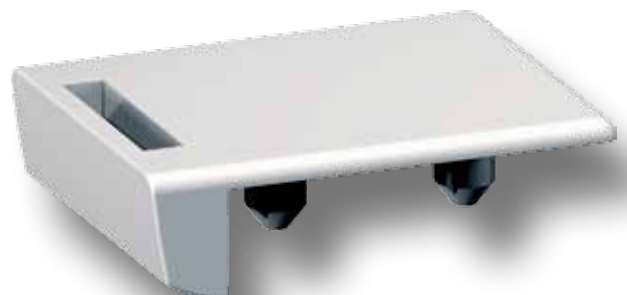
- Edge striker f/single glass door lock
- To be used when the glass door is to be flush with the edge of the cabinet
- Knock-in pins. Bore: Ø5 x 9 mm



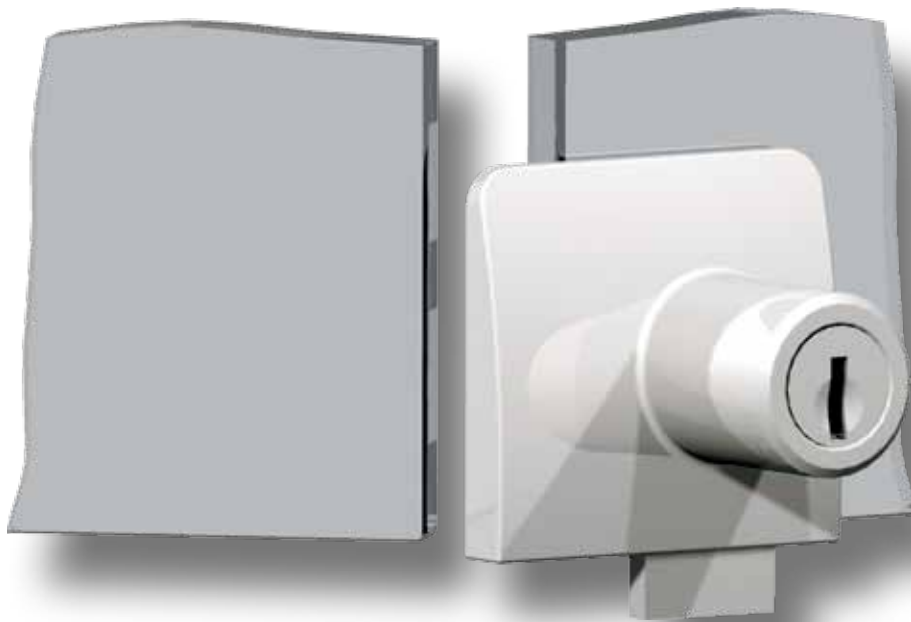
Specification:

Material	Finish	Item No.
Zamak	Chrome Plated	#14.09.535
Zamak	Alu Finish	#14.09.536
Zamak	Black Anodized	#14.09.537
Zamak	Gold Plated	#14.09.538
Zamak	Bronze Plated	#14.09.539

Packing: 480 Pcs per export carton



GLASS DOOR LOCK »SQUARE« F/DOUBLE DOORS



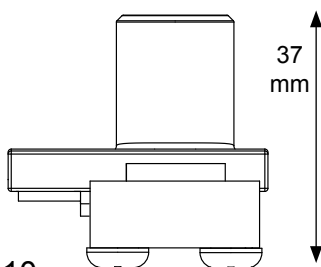
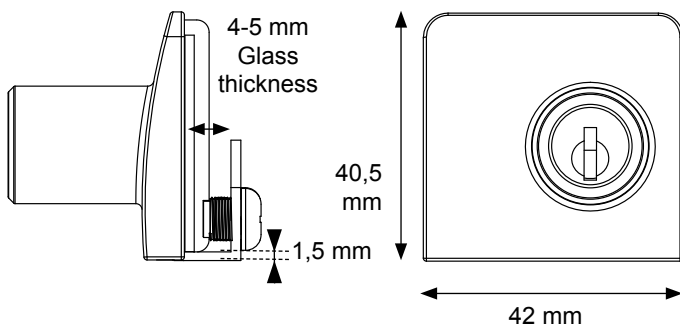
Glass Door Lock »SQUARE«
f/Double Doors



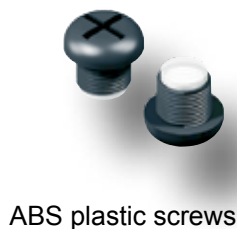
GLASS DOOR LOCK »SQUARE« F/DOUBLE DOORS

Application:

- Glass door lock for double doors
- No boring required
- F/Glass thickness 4-5 mm
- 400 Key combinations or key alike
- Optional with master key & interchangeable system



10



Specification:

Material	Finish	Item No.
Zamak	Chrome Plated	#14.09.555
Zamak	Alu Finish	#14.09.556
Zamak	Black Anodized	#14.09.557
Zamak	Gold Plated	#14.09.558
Zamak	Bronze Plated	#14.09.559

Packing: 240 Pcs per export carton

Each lock is supplied with:
 2 SISO metal keys
 2 ABS plastic screw w/soft PVC-tip for tight fastening without boring
 1 Flat metal striking plate (not illustrated)

EDGE STRIKER F/DOUBLE DOOR LOCK »SQUARE«

Application:

- Edge striker f/double glass door lock
- To be used when the glass door is to be flush with the edge of the cabinet
- Knock-in pins. Bore: Ø5 x 9 mm



Specification:

Material	Finish	Item No.
Zamak	Chrome Plated	#14.09.565
Zamak	Alu Finish	#14.09.566
Zamak	Black Anodized	#14.09.567
Zamak	Gold Plated	#14.09.568
Zamak	Bronze Plated	#14.09.569

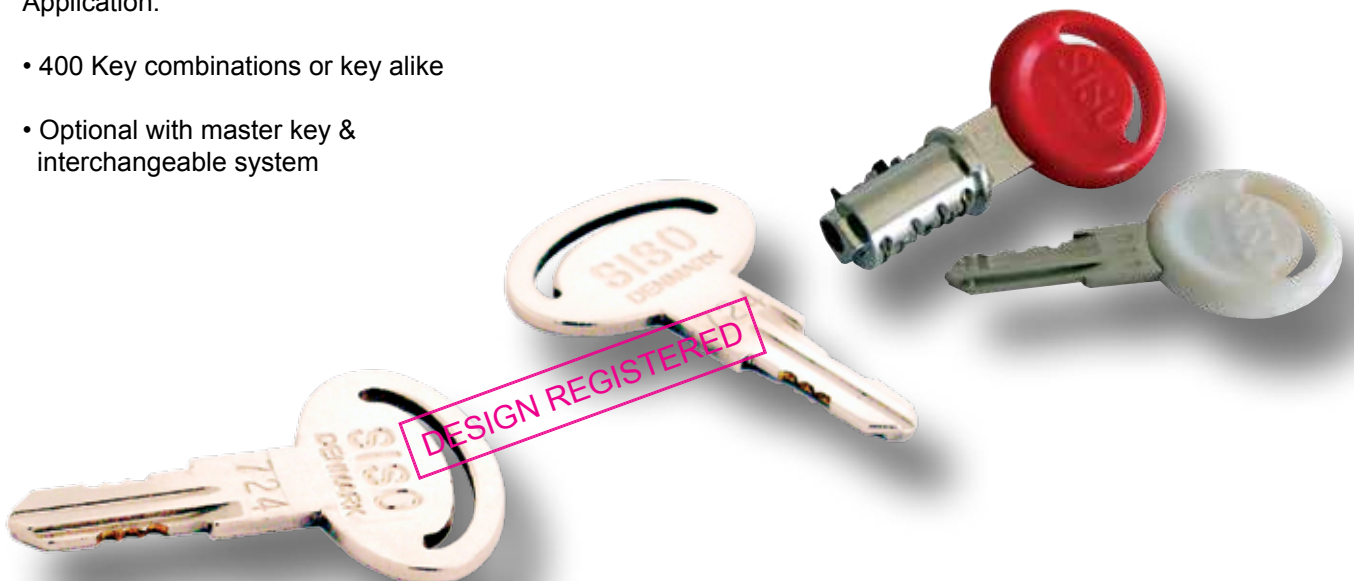
Packing: 480 Pcs per export carton

SISO METAL KEYS

Design to the fingertip

Application:

- 400 Key combinations or key alike
- Optional with master key & interchangeable system



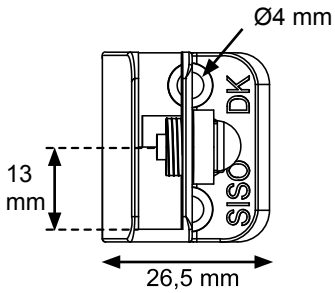
GLASS DOOR HINGE, F/ALU FRAMES »SQUARE«



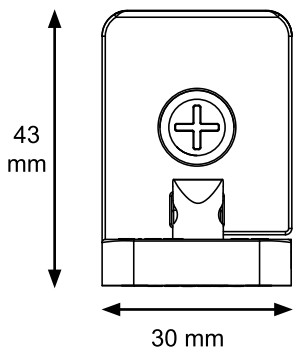
GLASS DOOR HINGE F/ALU FRAMES »SQUARE« F/INSET DOORS - TOP & BOTTOM

Application:

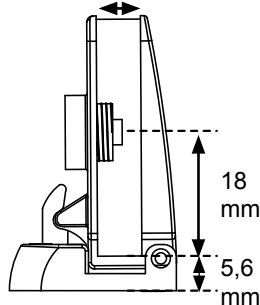
- Glass door hinge with catch for inset doors. Top & bottom fixation
- No boring required but possible by using the extra extension screw supplied.
- F/Glass thickness 4-6 mm
- 110 Degree opening depending on fixation
- Horizontal screw fixation
- Max door size: 1000 x 400 mm



ABS plastic screws



4-6 mm
Glass
thickness



Optional: Zamak screw

Specification:

Material	Finish	Item No.
Zamak	Chrome Plated	#15.06.215
Zamak	Alu Finish	#15.06.216
Zamak	Black Anodized	#15.06.217
Zamak	Gold Plated	#15.06.219
Zamak	Bronze Plated	#15.06.218

Packing: 240 Pcs per export carton

Each handle is supplied with:
1 ABS plastic screw w/soft PVC-tip for tight fastening without boring and 1 ABS plastic screw w/hard Ø6 x 3,5 mm ABS extension when boring required.

Optional: Zamak screw w/soft tip, 4mm Hex & PZD

Material	Finish	Item No.
Zamak	Zinc plated	#15.06.243



GLASS DOOR HINGE, F/ALU FRAMES »SQUARE« F/INSET DOORS - CENTRE

Application:

- Glass door hinge with catch for inset doors. Centre – or top fixation for rounded doors
- For right & left hand doors
- No boring required but possible by using the extra extension screw supplied.
- F/Glass thickness 4-6 mm
- 110 Degree opening depending on fixation
- Horizontal screw fixation
- Max door size: 1000 x 400 mm

Specification:

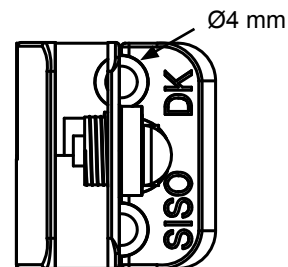
Material	Finish	Item No. R/L
Zamak	Chrome Plated	#15.06.235/260
Zamak	Alu Finish	#15.06.236/261
Zamak	Black Anodized	#15.06.237/262
Zamak	Gold Plated	#15.06.238/263
Zamak	Bronze Plated	#15.06.239/264

Packing: 240 Pcs per export carton

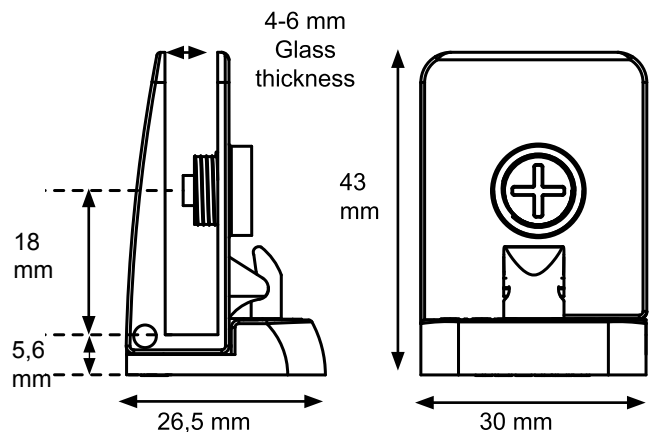
Each handle is supplied with:
1 ABS plastic screw w/soft PVC-tip for tight fastening without boring and 1 ABS plastic screw w/hard Ø6 x 3,5 mm ABS extension when boring required.

Optional: Zamak screw w/soft tip, 4mm Hex & PZD

Material	Finish	Item No.
Zamak	Zinc plated	#15.06.243



ABS plastic screws



Optional: Zamak screw

GLASS DOOR HINGE »SEE-ME« GLASS TO GLASS

SISO

DENMARK - high quality furniture fittings

Application:

- Glass door hinge with catch for inset & overlay doors.
- Universal. No left/right or bottom/top.
- Drilling required : $\varnothing 10$ mm
- Glass thickness: 4 – 6,75 mm
- Opening: 180°

Specification:

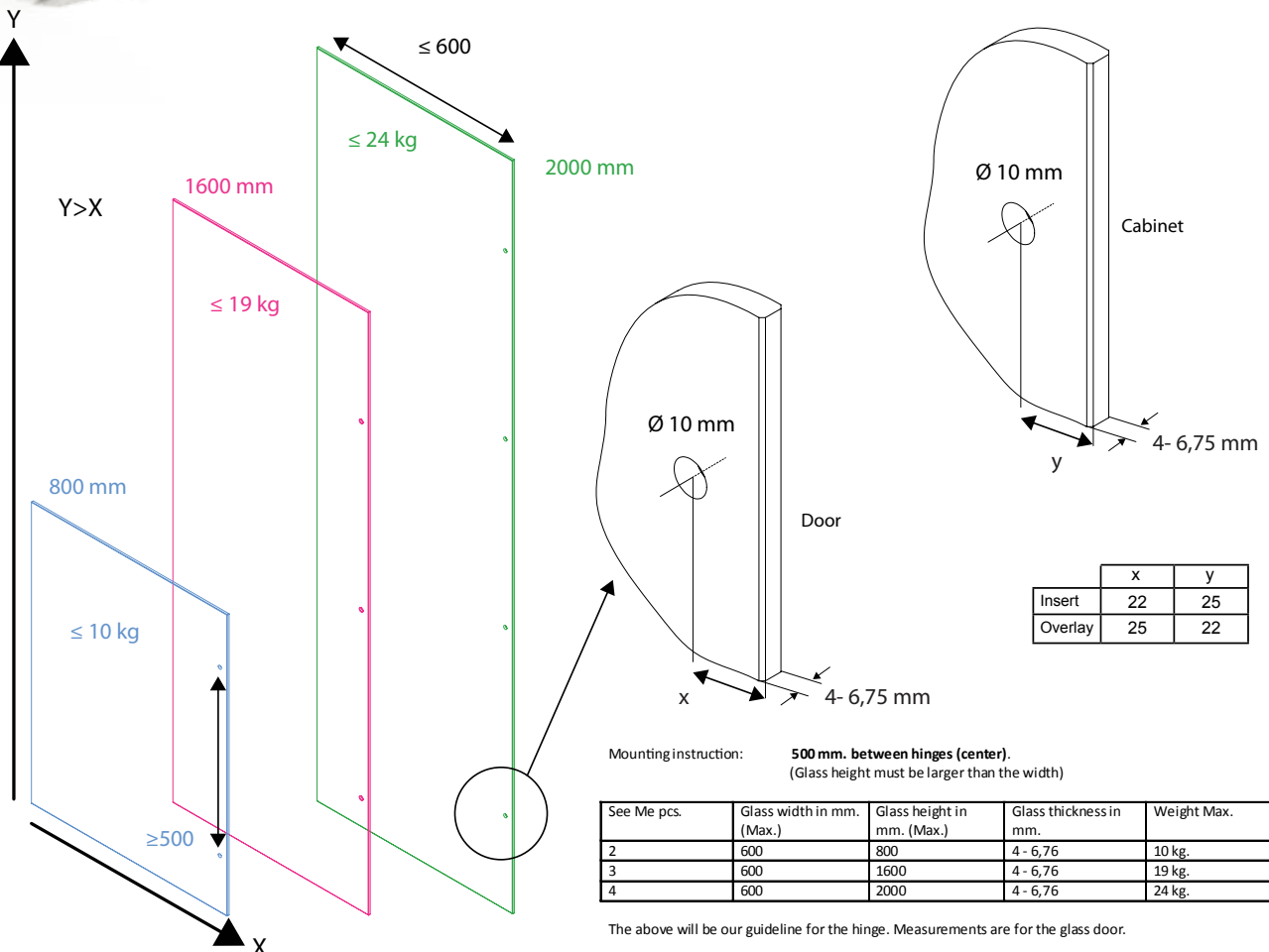
Material	Finish	Item No.
Zamak	Chrome Plated	#15.06.270
Zamak	Alu Finish	#15.06.271

Packing: 240 Pcs per export carton

Each hinge is supplied with:

- 1 Front/cover plate for the door
- 1 Front/cover plate for the side panel
- 4 Transparent gaskets
- 2 Dome head screws M5 x 8 mm, PZD
- 2 Dome head screws M5 x 10 mm, PZD

The hinge is pre-assembled with 8 mm screws for 4 mm glass thickness.



GLASS DOOR HINGE "SEE-ME" WOOD TO GLASS

- high quality furniture fittings



The "See-Me" glass to glass hinge can also be used for wooden side panels. Just leave out the front/cover plate.



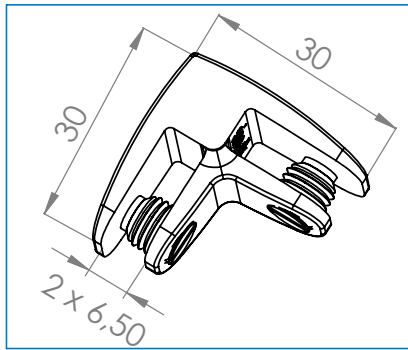
GLASS CONNECTOR 2-WAY 90°

Specification:

Material: Zamak
 Glass thickness: 4-6 mm
 Size: 30 x 30 x 25 (H) mm
 W/Zamak screw with soft tip

Chrome plated # 22.10.105
 Alu finish # 22.10.106

Other finishes on request.



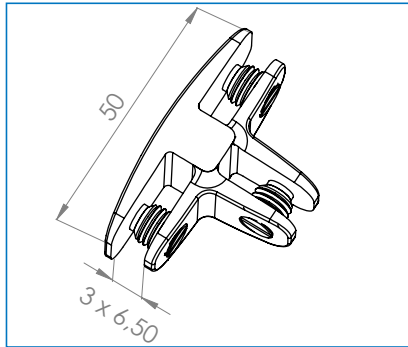
GLASS CONNECTOR 3-WAY T-JOINT

Specification:

Material: Zamak
 Glass thickness: 4-6 mm
 50 x 30 x 25 mm height
 W/Zamak screw with soft tip

Chrome plated # 22.10.115
 Alu finish # 22.10.116

Other finishes on request.



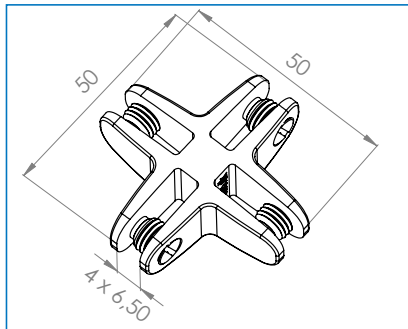
GLASS CONNECTOR 4-WAY 90°

Specification:

Material: Zamak
 Glass thickness: 4-6 mm
 50 x 50 x 25 mm height
 W/Zamak screw with soft tip

Chrome plated # 22.10.125
 Alu finish # 22.10.126

Other finishes on request.



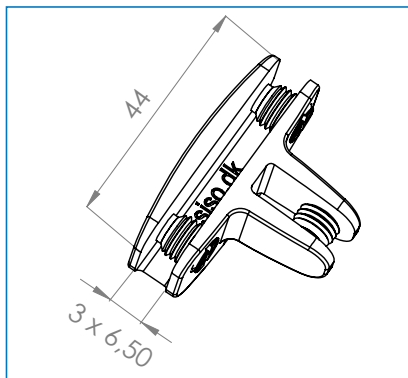
GLASS CONNECTOR 3-WAY CLOSED T-JOINT

Specification:

Material: Zamak
 Glass thickness: 4-6 mm
 50 x 44 x 25 mm
 Closed end - bottom/top connector
 W/Zamak screw with soft tip

Chrome plated # 22.10.135
 Alu finish # 22.10.136

W/Zamak screw with soft tip



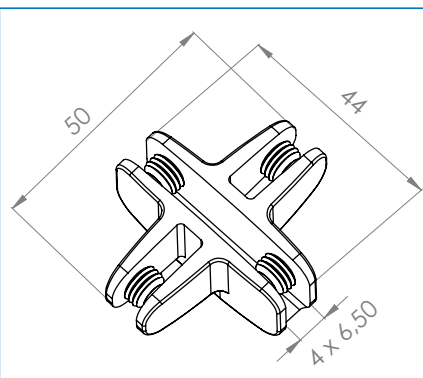
GLASS CONNECTOR 4-WAY CLOSED 90°

Specification:

Material: Zamak
 Glass thickness: 4-6 mm
 50 x 44 x 25 mm
 Closed end - bottom/top connector
 W/Zamak screw with soft tip

Chrome plated # 22.10.144
 Alu finish # 22.10.145

W/Zamak screw with soft tip

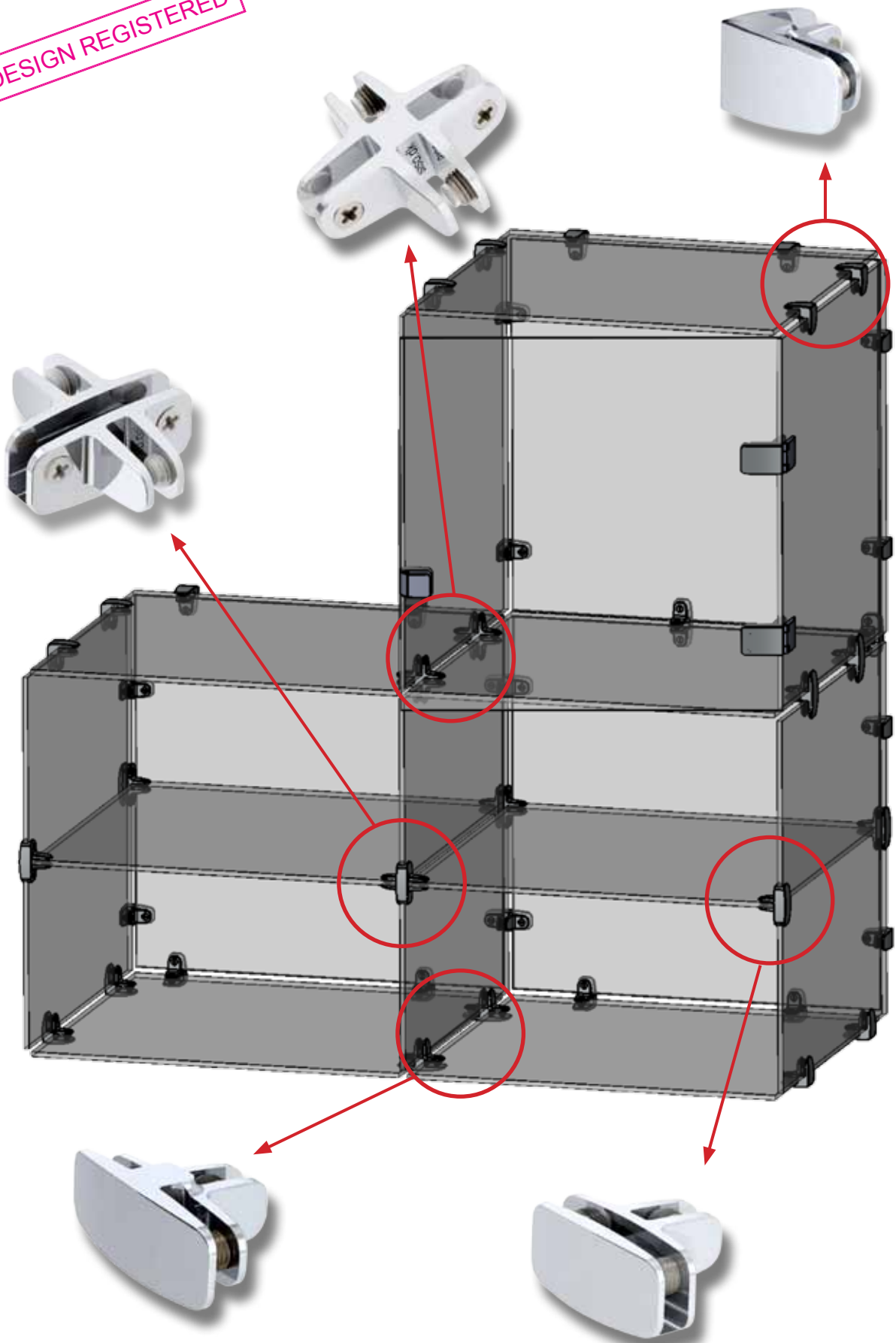


GLASS CONNECTORS "SQUARE"

- high quality furniture fittings



DESIGN REGISTERED





Top & Bottom Hinge

Chrome Plated	# 15.06.210
Alu Finish	# 15.06.211
Black Anodized	# 15.06.212
Gold Plated	# 15.06.213
Bronze Plated	# 15.06.214



Centre Hinge R/L

Chrome Plated	# 15.06.230/255
Alu Finish	# 15.06.231/256
Black Anodized	# 15.06.232/257
Gold Plated	# 15.06.233/258
Bronze Plated	# 15.06.234/259



Handle Single Door

Chrome Plated	# 17.40.060
Alu Finish	# 17.40.061
Black Anodized	# 17.40.062
Gold Plated	# 17.40.063
Bronze Plated	# 17.40.064



Handle Double Doors

Chrome Plated	# 17.40.080
Alu Finish	# 17.40.081
Black Anodized	# 17.40.082
Gold Plated	# 17.40.083
Bronze Plated	# 17.40.084



**Glass Door Lock
f/ Single Doors**

Chrome Plated	# 14.09.520
Alu Finish	# 14.09.521
Black Anodized	# 14.09.522
Gold Plated	# 14.09.523
Bronze Plated	# 14.09.524



**Glass Door Lock
f/ Double Doors**

Chrome Plated	# 14.09.555
Alu Finish	# 14.09.556
Black Anodized	# 14.09.557
Gold Plated	# 14.09.558
Bronze Plated	# 14.09.559



**Double Door Striker
f/ Single Door Lock**

Chrome Plated	# 14.09.530
Alu Finish	# 14.09.531
Black Anodized	# 14.09.532
Gold Plated	# 14.09.533
Bronze Plated	# 14.09.534



**Edge Striker
f/ Single Door Lock**

Chrome Plated	# 14.09.535
Alu Finish	# 14.09.536
Black Anodized	# 14.09.537
Gold Plated	# 14.09.538
Bronze Plated	# 14.09.539

**Edge Striker
f/ Double Door Lock**

Chrome Plated	# 14.09.565
Alu Finish	# 14.09.566
Black Anodized	# 14.09.567
Gold Plated	# 14.09.568
Bronze Plated	# 14.09.569





Top & Bottom Short Hinge

- Chrome Plated # 15.06.215
- Alu Finish # 15.06.216
- Black Anodized # 15.06.217
- Gold Plated # 15.06.219
- Bronze Plated # 15.06.218

Centre Short Hinge R/L

- Chrome Plated # 15.06.235/260
- Alu Finish # 15.06.236/261
- Black Anodized # 15.06.237/262
- Gold Plated # 15.06.238/263
- Bronze Plated # 15.06.239/264

“SEE-ME” HINGE GLASS TO GLASS



“SEE-ME” Hinge

- Chrome Plated # 15.06.270
- Alu Finish # 15.06.271

GLASS CONNECTORS



Glass Connector 90°

- Chrome Plated # 22.10.105
- Alu Finish # 22.10.106



**Glass Connector
3 way T- joint**

- Chrome Plated # 22.10.115
- Alu Finish # 22.10.116



**Glass Connector
4 way joint 90°**

- Chrome Plated # 22.10.125
- Alu Finish # 22.10.126



**Glass Connector
3 way closed T- joint**

- Chrome Plated # 22.10.135
- Alu Finish # 22.10.136



**Glass Connector
4 way closed joint 90°**

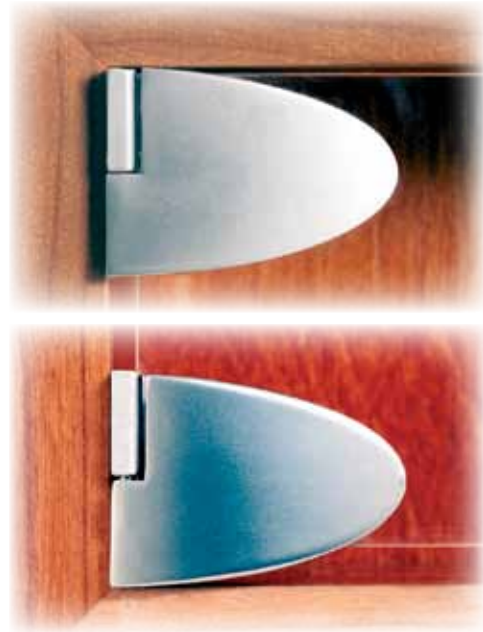
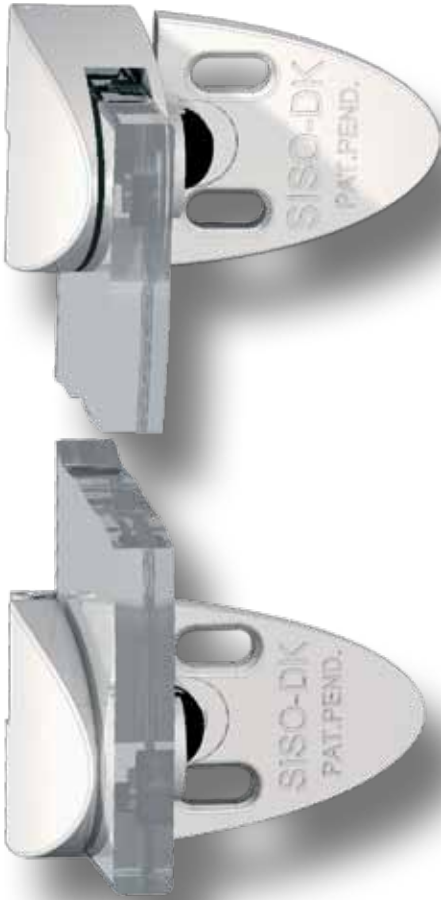
- Chrome Plated # 22.10.144
- Alu Finish # 22.10.145

ZAMAK SCREW W/SOFT TIP



**Zamak screw w/soft tip,
4mm Hex & PZD**

- Zinc plated # 15.06.243

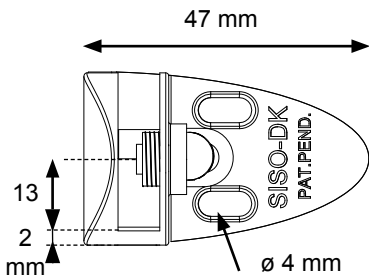
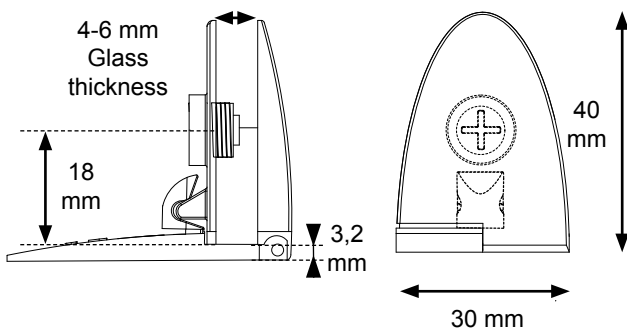


GLASS DOOR HINGE »BADGE«
F/INSET DOORS - TOP & BOTTOM

Application:

- Glass door hinge with catch for inset doors. Top & bottom fixation
- No boring required but possible by using the extra extension screw supplied.
- F/Glass thickness 4-6 mm
- 90 or 180 Degrees opening depending on fixation
- Horizontal screw fixation
- Max door size: 1000 x 400 mm

Top & Bottom Hinges
»BADGE«



ABS plastic screws



Optional: Zamak screw

Specification:

Material	Finish	Item No.
Zamak	Chrome Plated	#15.06.200
Zamak	Alu Finish	#15.06.201
Zamak	Black Anodized	#15.06.202
Zamak	Gold Plated	#15.06.203
Zamak	Bronze Plated	#15.06.204

Packing:

240 Pairs (1 Top + 1 Bottom) per export carton

Each hinge is supplied with:

1 ABS plastic screw w/soft PVC-tip for tight fastening without boring and 1 ABS plastic screw w/hard Ø6 x 3,5 mm ABS extension when boring required.

Optional: Zamak screw w/soft tip, 4mm Hex & PZD

Material	Finish	Item No.
Zamak	Zinc plated	#15.06.243

GLASS DOOR HINGE »BADGE«

- high quality furniture fittings



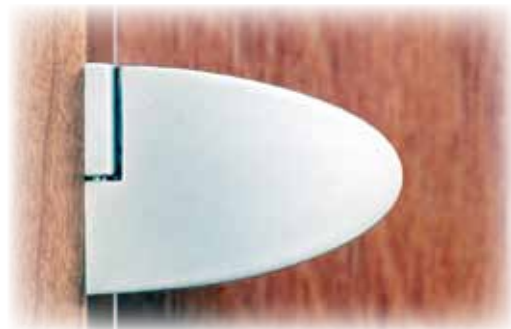
GLASS DOOR HINGE »BADGE«
F/INSET DOORS - CENTRE



Centre Hinge
»BADGE«

Application:

- Glass door hinge with catch for inset doors. Centre – or top fixation for rounded doors
- For right & left hand doors
- No boring required but possible by using the extra extension screw supplied.
- F/Glass thickness 4-6 mm
- 90 or 180 Degrees opening depending on fixation
- Horizontal screw fixation
- Max door size: 1000 x 400 mm



Specification:

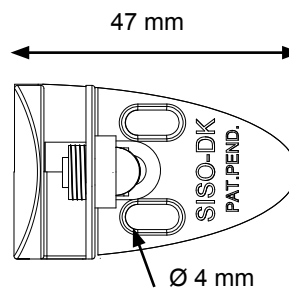
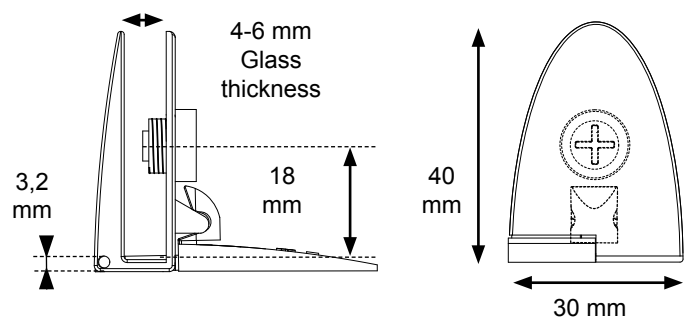
Material	Finish	Item No.	R/L
Zamak	Chrome Plated	#15.06.220/245	
Zamak	Alu Finish	#15.06.221/246	
Zamak	Black Anodized	#15.06.222/247	
Zamak	Gold Plated	#15.06.223/248	
Zamak	Bronze Plated	#15.06.224/249	

Packing: 240 Pcs per export carton

Each hinge is supplied with:
1 ABS plastic screw w/soft PVC-tip for tight fastening without boring and 1 ABS plastic screw w/hard $\varnothing 5 \times 3,5$ mm ABS extension when boring required

Optional: Zamak screw w/soft tip, 4mm Hex & PZD

Material	Finish	Item No.
Zamak	Zinc plated	#15.06.243



ABS plastic screws



Optional: Zamak screw 21

GLASS DOOR HANDLE SINGLE »BADGE«



Glass Door Handle Single
»BADGE«

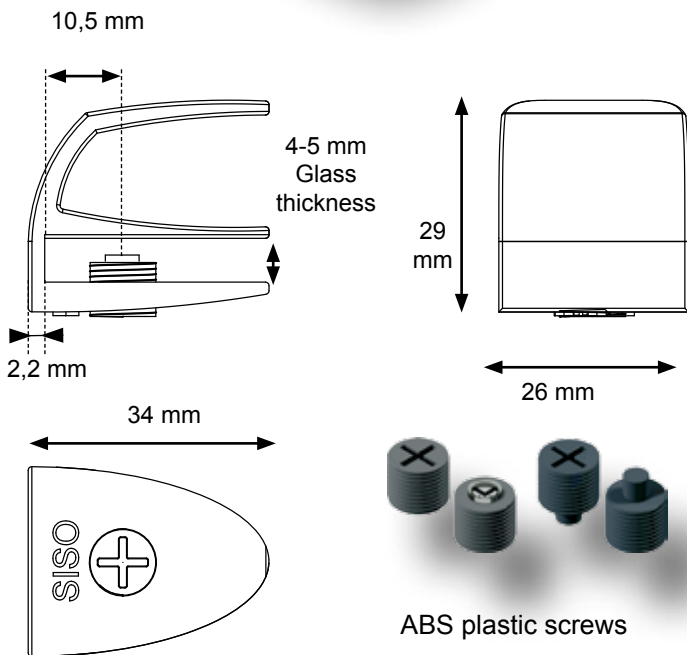


GLASS DOOR HANDLE »BADGE«
F/SINGLE DOORS



Application:

- Glass door handle for single doors
- No boring required but possible by using the extra extension screw supplied.
- F/Glass thickness 4-5 mm



ABS plastic screws



Optional: Zamak screw

Specification:

Material	Finish	Item No.
Zamak	Chrome Plated	#17.40.050
Zamak	Alu Finish	#17.40.051
Zamak	Black Anodized	#17.40.052
Zamak	Gold Plated	#17.40.053
Zamak	Bronze Plated	#17.40.054

Packing: 240 Pcs per export carton

Each handle is supplied with:
1 ABS plastic screw w/soft PVC-tip for tight fastening without boring and 1 ABS plastic screw w/hard Ø6 x 3,5 mm ABS extension when boring required.

Optional: Zamak screw w/soft tip, 4mm Hex & PZD

Material	Finish	Item No.
Zamak	Zinc plated	#15.06.243



Glass Door Handle »BADGE« f/Double Doors

GLASS DOOR HANDLE »BADGE« F/DOUBLE DOORS

Application:

- Glass door handle for double doors
- Side-wall cut for minimising the gap between the glass doors.
- No boring required but possible if needed due to an extra extension screw.
- F/Glass thickness 4-5 mm



Specification:

Material	Finish	Item No.
Zamak	Chrome Plated	#17.40.070
Zamak	Alu Finish	#17.40.071
Zamak	Black Anodized	#17.40.072
Zamak	Gold Plated	#17.40.073
Zamak	Bronze Plated	#17.40.074

Packing:

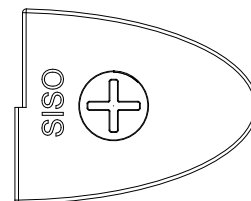
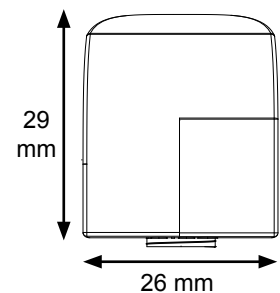
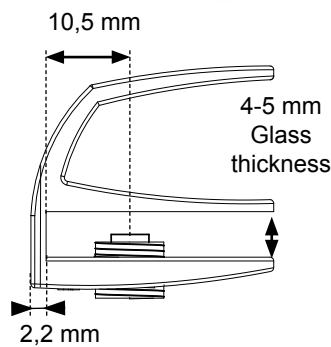
240 Pairs (1 Left + 1 Right) per export carton

Each handle is supplied with:

1 ABS plastic screw w/soft PVC-tip for tight fastening without boring and 1 ABS plastic screw w/hard Ø6 x 3,5 mm ABS extension when boring required.

Optional: Zamak screw w/soft tip, 4mm Hex & PZD

Material	Finish	Item No.
Zamak	Zinc plated	#15.06.243



ABS plastic screws



Optional: Zamak screw

GLASS DOOR LOCK »BADGE« F/SINGLE DOORS



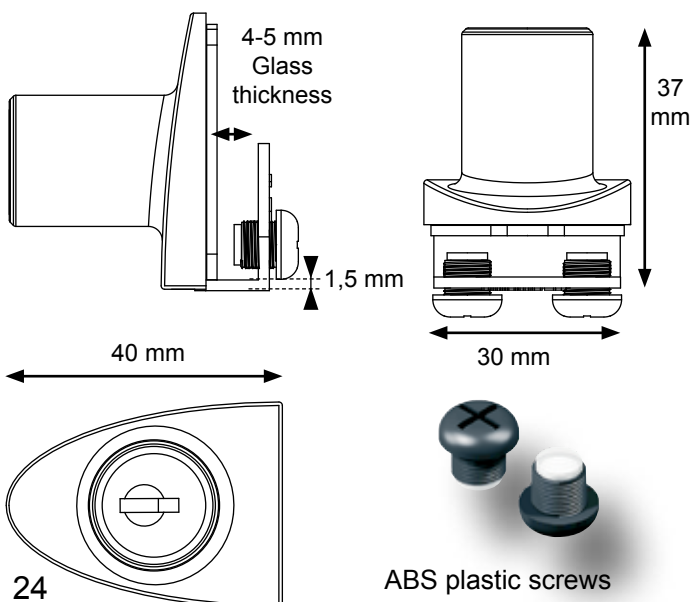
Glass Door Lock »BADGE«
f/Single doors



GLASS DOOR LOCK »BADGE«
F/SINGLE DOORS

Application:

- Glass door lock for single doors
- No boring required
- F/Glass thickness 4-5 mm
- 400 Key combinations or key alike
- Optional with master key & interchangeable system



Specification:

Material	Finish	Item No.
Zamak	Chrome Plated	#14.09.500
Zamak	Alu Finish	#14.09.501
Zamak	Black Anodized	#14.09.502
Zamak	Gold Plated	#14.09.503
Zamak	Bronze Plated	#14.09.504

Packing: 240 Pcs per Export Carton

Each lock is supplied with:
 2 SISO metal keys
 2 ABS plastic screw w/soft PVC-tip for tight fastening without boring
 1 Flat metal striking plate (not illustrated)

DOUBLE DOOR STRIKER F/SINGLE DOOR LOCK »BADGE«

- high quality furniture fittings



Application:

- Double door striker f/single glass door lock
- No boring required
- F/Glass thickness 4-5 mm



Specification:

Material	Finish	Item No.
Zamak	Chrome Plated	#14.09.510
Zamak	Alu Finish	#14.09.511
Zamak	Black Anodized	#14.09.512
Zamak	Gold Plated	#14.09.513
Zamak	Bronze Plated	#14.09.514

Packing: 240 Pcs per export carton

Each striker is supplied with:
2 ABS plastic screw w/soft PVC-tip for tight fastening without boring.



ABS Plastic Screws

EDGE STRIKER F/SINGLE DOOR LOCK »BADGE«

Application:

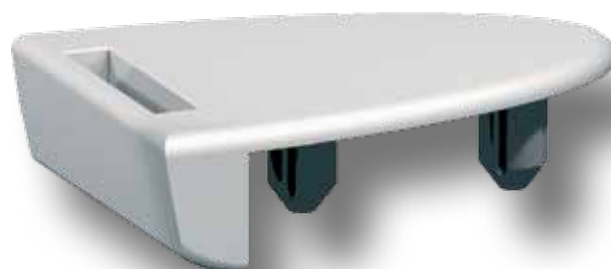
- Edge striker f/single glass door lock
- To be used when the glass door is to be flush with the edge of the cabinet
- Knock-in pins. Bore: Ø5 x 9 mm



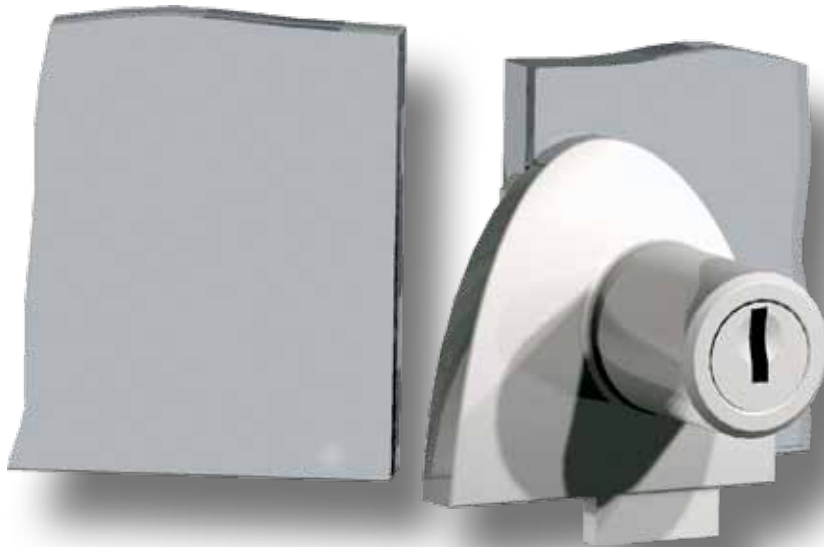
Specification:

Material	Finish	Item No.
Zamak	Chrome Plated	#14.09.515
Zamak	Alu Finish	#14.09.516
Zamak	Black Anodized	#14.09.517
Zamak	Gold Plated	#14.09.518
Zamak	Bronze Plated	#14.09.519

Packing: 480 Pcs per export carton



GLASS DOOR LOCK »BADGE« F/DOUBLE DOORS



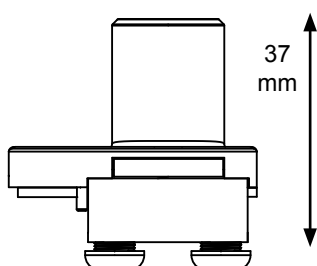
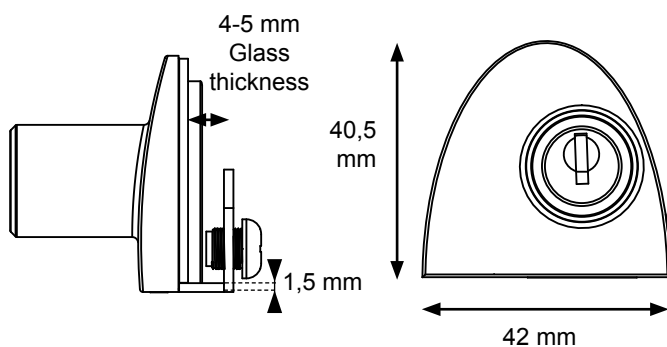
Glass Door Lock »BADGE«
f/Double Doors

GLASS DOOR LOCK »BADGE« F/DOUBLE DOORS



Application:

- Glass door lock for double doors
- No boring required
- F/Glass thickness 4-5 mm
- 400 Key combinations or key alike
- Optional with master key & interchangeable system



ABS plastic screws

Specification:

Material	Finish	Item No.
Zamak	Chrome Plated	#14.09.540
Zamak	Alu Finish	#14.09.541
Zamak	Black Anodized	#14.09.542
Zamak	Gold Plated	#14.09.543
Zamak	Bronze Plated	#14.09.544

Packing: 240 Pcs per export carton

Each lock is supplied with:
 2 SISO metal keys
 2 ABS plastic screw w/soft PVC-tip for tight fastening without boring
 1 Flat metal striking plate

EDGE STRIKER F/DOUBLE DOOR LOCK »BADGE«

Application:

- Edge striker f/double glass door lock
- To be used when the glass door is to be flush with the edge of the cabinet
- Knock-in pins. Bore: Ø5 x 9 mm



Specification:

Material	Finish	Item No.
Zamak	Chrome Plated	#14.09.550
Zamak	Alu Finish	#14.09.551
Zamak	Black Anodized	#14.09.552
Zamak	Gold Plated	#14.09.553
Zamak	Bronze Plated	#14.09.554

Packing: 480 Pcs per export carton



SISO METAL KEYS

Design to the fingertip

Application:

- 400 Key combinations or key alike
- Optional with master key & interchangeable system

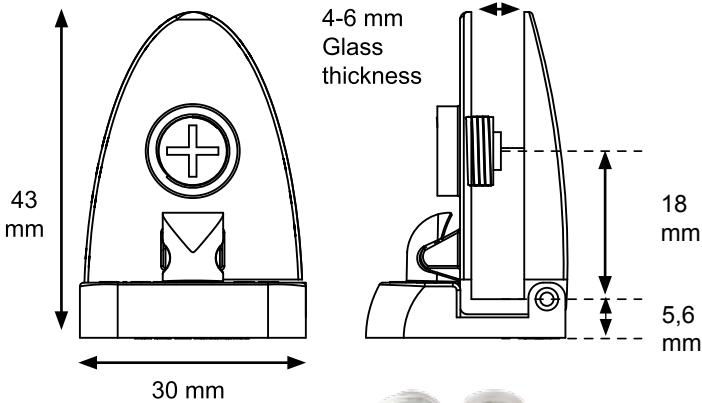
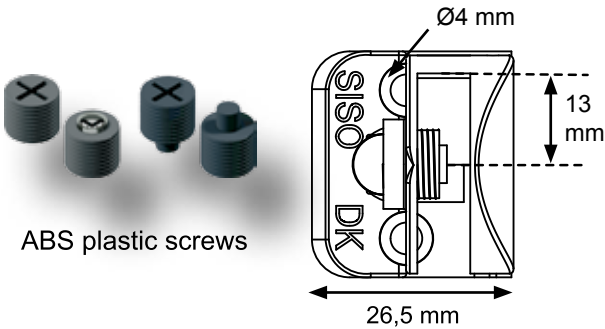




**GLASS DOOR HINGE F/ALU FRAMES »BADGE«
F/INSET DOORS - TOP & BOTTOM**

Application:

- Glass door hinge with catch for inset doors. Top & bottom fixation
- No boring required but possible by using the extra extension screw supplied.
- F/Glass thickness 4-6 mm
- 110 Degree opening depending on fixation
- Horizontal screw fixation
- Max door size: 1000 x 400 mm



Optional: Zamak screw

Specification:

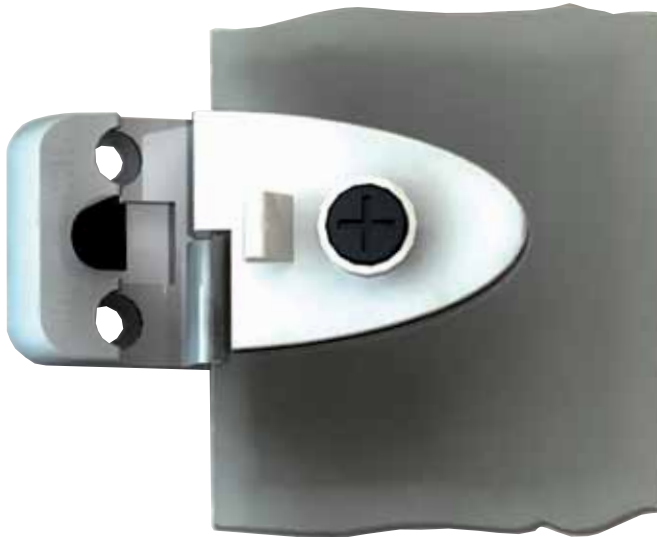
Material	Finish	Item No.
Zamak	Chrome Plated	#15.06.205
Zamak	Alu Finish	#15.06.206
Zamak	Black Anodized	#15.06.207
Zamak	Bronze Plated	#15.06.208
Zamak	Gold Plated	#15.06.209

Packing: 240 Pcs per export carton

Each handle is supplied with:
1 ABS plastic screw w/soft PVC-tip for tight fastening without boring and 1 ABS plastic screw w/hard Ø6 x 3,5 mm ABS extension when boring required.

Optional: Zamak screw w/soft tip, 4mm Hex & PZD

Material	Finish	Item No.
Zamak	Zinc plated	#15.06.243



GLASS DOOR HINGE, F/ALU FRAMES »BADGE« F/INSET DOORS - CENTRE

Application:

- Glass door hinge with catch for inset doors. Centre – or top fixation for rounded doors
- For right & left hand doors
- No boring required but possible by using the extra extension screw supplied.
- F/Glass thickness 4-6 mm
- 110 Degree opening depending on fixation
- Horizontal screw fixation
- Max door size: 1000 x 400 mm

Specification:

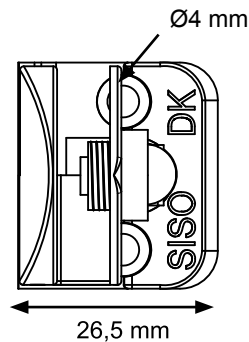
Material	Finish	Item No. R/L
Zamak	Chrome Plated	#15.06.225/250
Zamak	Alu Finish	#15.06.226/251
Zamak	Black Anodized	#15.06.227/252
Zamak	Gold Plated	#15.06.228/253
Zamak	Bronze Plated	#15.06.229/254

Packing: 240 Pcs per export carton

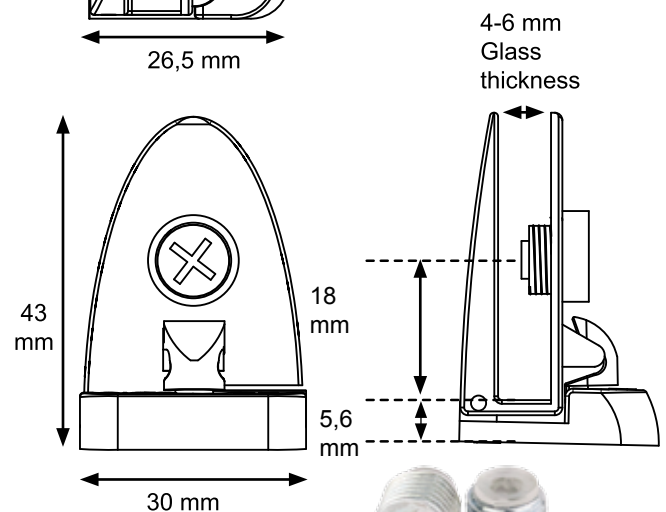
Each handle is supplied with:
1 ABS plastic screw w/soft PVC-tip for tight fastening without boring and 1 ABS plastic screw w/hard Ø6 x 3,5 mm ABS extension when boring required.

Optional: Zamak screw w/soft tip, 4mm Hex & PZD

Material	Finish	Item No.
Zamak	Zinc plated	#15.06.243



ABS plastic screws



Optional: Zamak screw 29



Top & Bottom Hinge

- Chrome Plated # 15.06.200
- Alu Finish # 15.06.201
- Black Anodized # 15.06.202
- Gold Plated # 15.06.203
- Bronze Plated # 15.06.204

Centre Hinge R/L

- Chrome Plated # 15.06.220/245
- Alu Finish # 15.06.221/246
- Black Anodized # 15.06.222/247
- Gold Plated # 15.06.223/248
- Bronze Plated # 15.06.224/249



Handle Single Door

- Chrome Plated # 17.40.050
- Alu Finish # 17.40.051
- Black Anodized # 17.40.052
- Gold Plated # 17.40.053
- Bronze Plated # 17.40.054



Handle Double Doors

- Chrome Plated # 17.40.070
- Alu Finish # 17.40.071
- Black Anodized # 17.40.072
- Gold Plated # 17.40.073
- Bronze Plated # 17.40.074



**Glass Door Lock
f/ Single Doors**

- Chrome Plated # 14.09.500
- Alu Finish # 14.09.501
- Black Anodized # 14.09.502
- Gold Plated # 14.09.503
- Bronze Plated # 14.09.504



**Glass Door Lock
f/ Double Doors**

- Chrome Plated # 14.09.540
- Alu Finish # 14.09.541
- Black Anodized # 14.09.542
- Gold Plated # 14.09.543
- Bronze Plated # 14.09.544



**Double Door Striker
f/ Single Door Lock**

- Chrome Plated # 14.09.510
- Alu Finish # 14.09.511
- Black Anodized # 14.09.512
- Gold Plated # 14.09.513
- Bronze Plated # 14.09.514



**Edge Striker
f/ Single Door Lock**

- Chrome Plated # 14.09.515
- Alu Finish # 14.09.516
- Black Anodized # 14.09.517
- Gold Plated # 14.09.518
- Bronze Plated # 14.09.519



**Edge Striker
f/ Double Door Lock**

- Chrome Plated # 14.09.550
- Alu Finish # 14.09.551
- Black Anodized # 14.09.552
- Gold Plated # 14.09.553
- Bronze Plated # 14.09.554



Top & Bottom Short Hinge

Chrome Plated	# 15.06.205
Alu Finish	# 15.06.206
Black Anodized	# 15.06.207
Gold Plated	# 15.06.208
Bronze Plated	# 15.06.209



Centre Short Hinge R/L

Chrome Plated	# 15.06.225/250
Alu Finish	# 15.06.226/251
Black Anodized	# 15.06.227/252
Gold Plated	# 15.06.228/253
Bronze Plated	# 15.06.229/254

ZAMAK SCREW W/SOFT TIP



Zamak screw w/soft tip,
4mm Hex & PZD
Zinc plated # 15.06.243



- high quality furniture fittings

DESIGN REGISTERED

SISO A/S

Mileparken 11 Phone: (+45) 45 830 900
DK - 2740 Skovlunde Fax: (+45) 45 830 444 - 45 830 440
Denmark E-mail: siso@siso.dk Web: www.siso.dk